

# Savant FS-3000AH Flow Sensor, Digital Output

2012.12.30

SAVANT ELECTRONICS INC.

1670-3, Huanzhong road, Sec.1, Taichung 40761, Taiwan

Tel : 886 4 2425 5578 Fax : 886 4 2425 0396

Email : [savantco@ms65.hinet.net](mailto:savantco@ms65.hinet.net)

Website : [www.digisavant.com](http://www.digisavant.com)

Features :

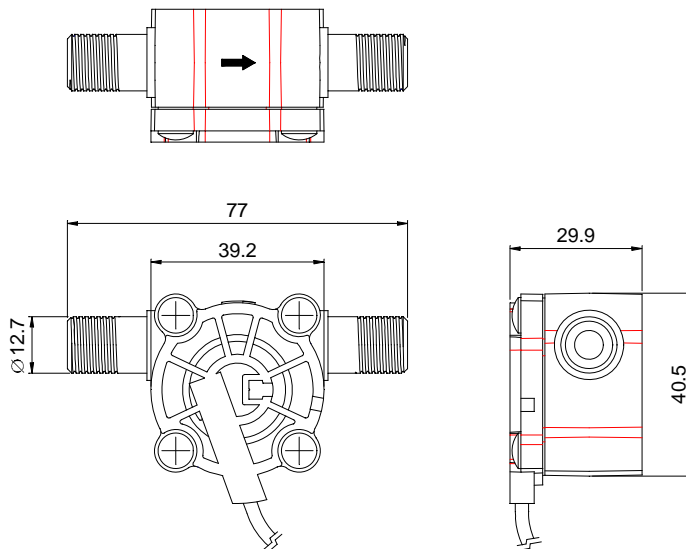
- Accurate and reliable
- Low cost
- Easy installation



Application :

- ✓ Residential and commercial water treatment system
- ✓ Water dispenser
- ✓ Water cooler

1.0 Mechanism :



2.0 Electrical :

Supply voltage : 2.4 – 26 V DC

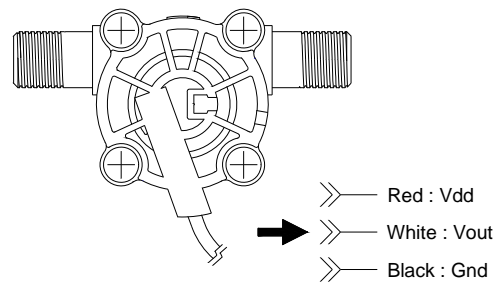
Supply current : typical 2.8 mA, maximum 8.0 mA.

Output mode : open collector

Output rise time : typical 1.0  $\mu$  second. maximum 10  $\mu$  second.

Output falling time : typical 0.3  $\mu$  second. maximum 1.5  $\mu$  second.

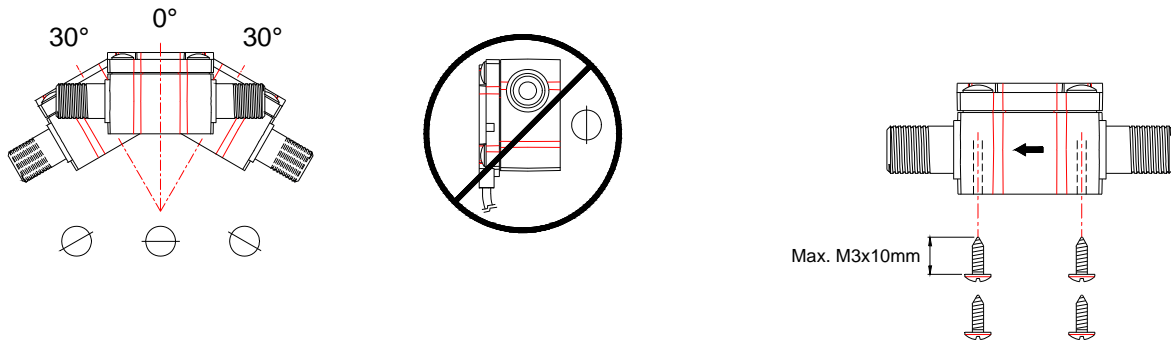
Wire connection :



Connector : JST compatible, Housing : SMR-03V-N, Terminal : SYM-0001T-P0.6

### 3.0 Mounting method

**Horizontal mounting ONLY**, maximum 30 degree lifting.



4.0 Flow Rate : 0.6 – 8.0 liter/min.

5.0 Calibration :

Flow rate (liter/min.)	Liter per pulse (liter)
0.6 – 1.0	0.0039
1.0 – 2.5	0.0040
2.5 – 8.0	0.0041

Accuracy : +/- 5%

### 6.0 General :

Connection : 1/4" BSP male

Temperature : 0 to 80°C

Pressure : Max. 6.0 bar (85 psi)

Materials : Sensor Body : PA66 (EMS Grivory GV-5H)

Peddle : Acetal Copolymer (POM), TICONA M90

Stick of Turbine : #304 Stainless Steel

O-Ring : E.P.D.M.