

Savant FS-3200A Mini Flow Sensor with Reed Switch

SAVANT ELECTRONICS INC.

1670-3, Huanzhong road, Sec.1, Taichung 40761, Taiwan

Tel : 886 4 2425 5578 Fax : 886 4 2425 0396

Email : savantco@ms65.hinet.net

Website : www.digisavant.com

Features :

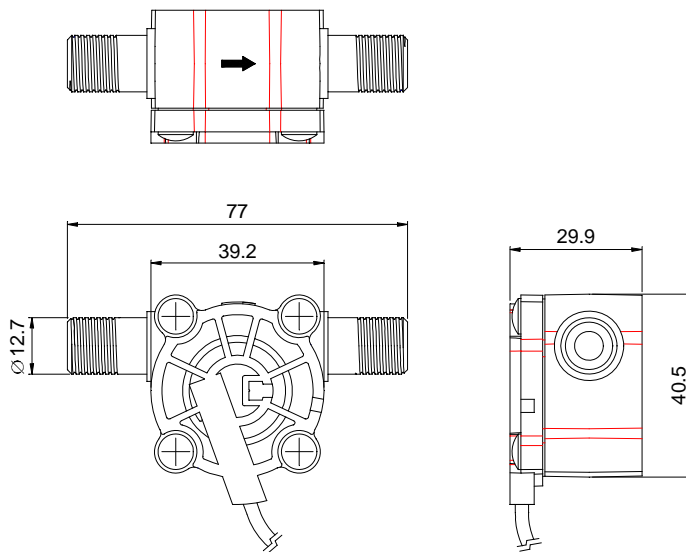
- Accurate and reliable
- Low cost
- Easy installation



Application :

- ✓ Residential and commercial water treatment system
- ✓ Water dispenser
- ✓ Water cooler

1.0 Mechanism :



2.0 Electrical :

Switching Voltage : Max. 200 Volts

Switching Current : Max. 0.5 Amps

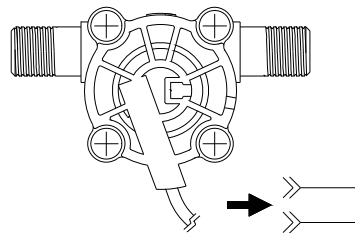
Carry Current : Max. 1.5 Amps

Switching Frequency : Max. 500 Hz

Contact Resistance : Max. 150 mΩ

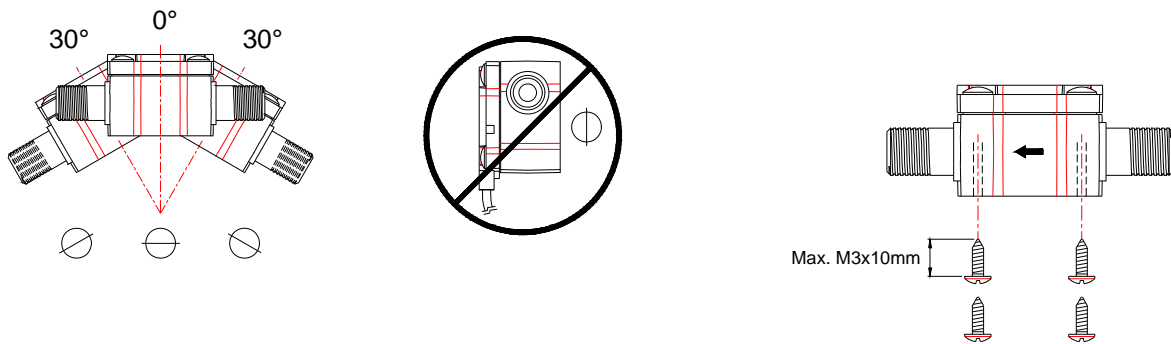
Life Expectancy : 400,000 liters.

Wire connection :



3.0 Mounting method

Horizontal mounting, maximum 30 degree lifting.



4.0 Flow Rate : 0.2 – 5.0 liter/min.

5.0 Calibration :

Flow rate (liter/min.)	Liter per pulse (liter)	Resolution (pulse/liter)
0.2 – 1.8	0.00176	568
1.8 – 5.0	0.00170	588

Accuracy : +/- 10%

6.0 General :

Operating life : 500,000 liters

Connection : 1/4" BSP male

Temperature : 0 to 80°C

Pressure : Max. 6.0 bar (85 psi)

Materials : Sensor Body : Acetal Copolymer (POM), TICONA M90

Turbine : Acetal Copolymer (POM), TICONA M90

Stick of Turbine : #304 Stainless Steel

O-Ring : E.P.D.M.