

Savant FS-3200AH Mini Flow Sensor, Digital Output

SAVANT ELECTRONICS INC.

1670-3, Huanzhong road, Sec.1, Taichung 40761, Taiwan

Tel : 886 4 2425 5578 Fax : 886 4 2425 0396

Email : savantco@ms65.hinet.net

Website : www.digisavant.com

Features :

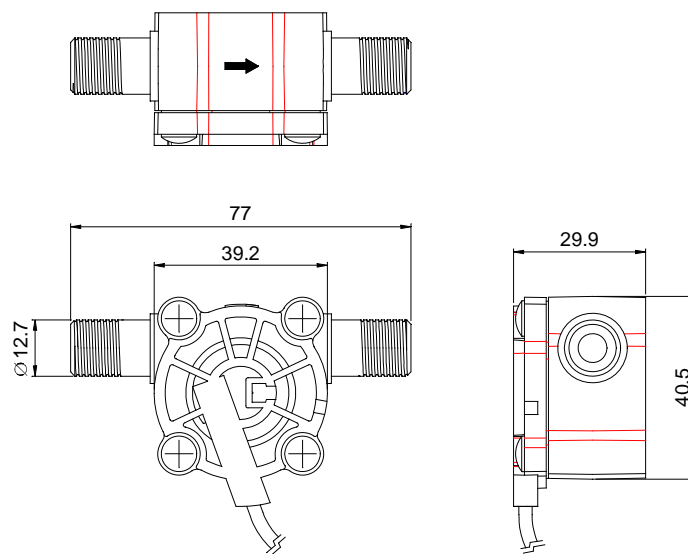
- Accurate and reliable
- Low cost
- Easy installation



Application :

- ✓ Residential and commercial water treatment system
- ✓ Water dispenser
- ✓ Water cooler

1.0 Mechanism :



2.0 Electrical :

Supply voltage : 2.4 – 26 V DC

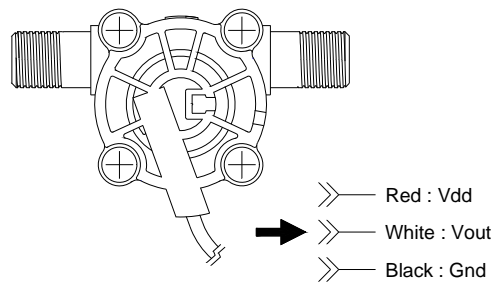
Supply current : typical 2.8 mA, maximum 8.0 mA.

Output mode :open collector

Output rise time : typical 1.0μsecond. maximum 10μsecond.

Output falling time : typical 0.3μsecond. maximum 1.5μsecond.

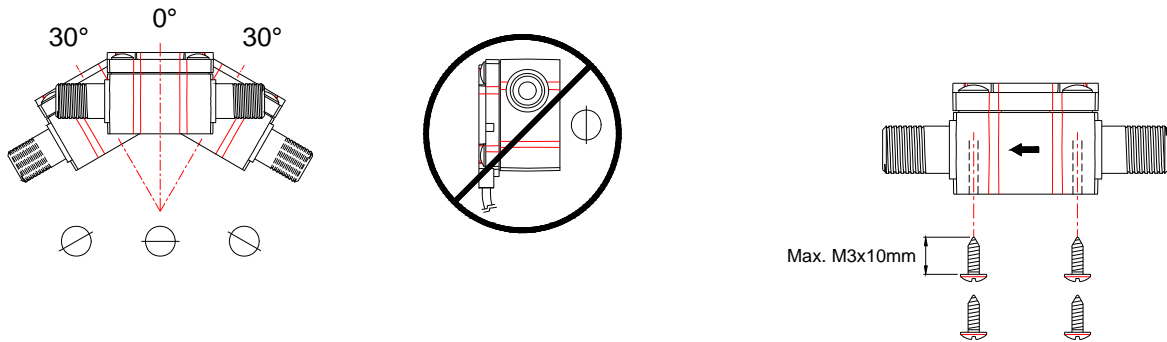
Wire connection :



Connector : JST compatible, Housing : SMR-03V-N, Terminal : SYM-0001T-P0.6

3.0 Mounting method

Horizontal mounting, maximum 30 degree lifting.



4.0 Flow Rate : 0.2 – 5.0 liter/min.

5.0 Calibration :

Flow rate (liter/min.)	Liter per pulse (liter)	Resolution (pulse/liter)
0.2 – 1.0	0.00176	568
1.0 – 5.0	0.00170	588

Accuracy : +/- 5%

6.0 General :

Connection : 1/4" BSP male

Temperature : 0 to 80°C

Pressure : Max. 6.0 bar (85 psi)

Materials : Sensor Body : Polyamide 66 with 50% glass fiber

Turbine : Acetal Copolymer (POM), TICONA M90

Stick of Turbine : #304 Stainless Steel

O-Ring : E.P.D.M.