

The Specification of the DigiFlow 5000V, Faucet-mounted filter monitor

SAVANT ELECTRONICS INC.

1670-3, Sec.1, Huanzhong road, Taichung 40761, Taiwan

Tel : 886 4 2425 5578 Fax : 886 4 2425 0396

Email : savantco@ms65.hinet.net

Website : www.homewaterfilter.com.tw

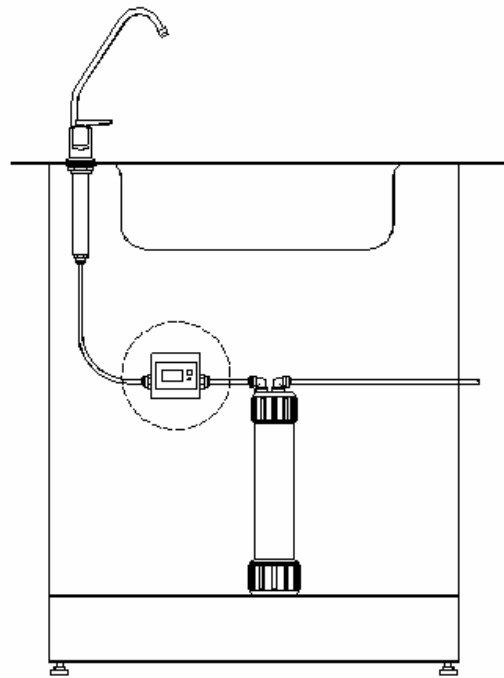
Features :

- Pre-programmed filter capacity monitor, from 1000 – 8000 liters and 250 -2000 gallons.
- Capacity indicating by three-color LED
- Audible alarm for the end of filter life
- Flow rate from 1.5 to 14.1 lpm
- Battery operated, 2 AAA batteries
- Automatic data memorized when battery power is off



Application :

- ✓ Under sink water treatment system

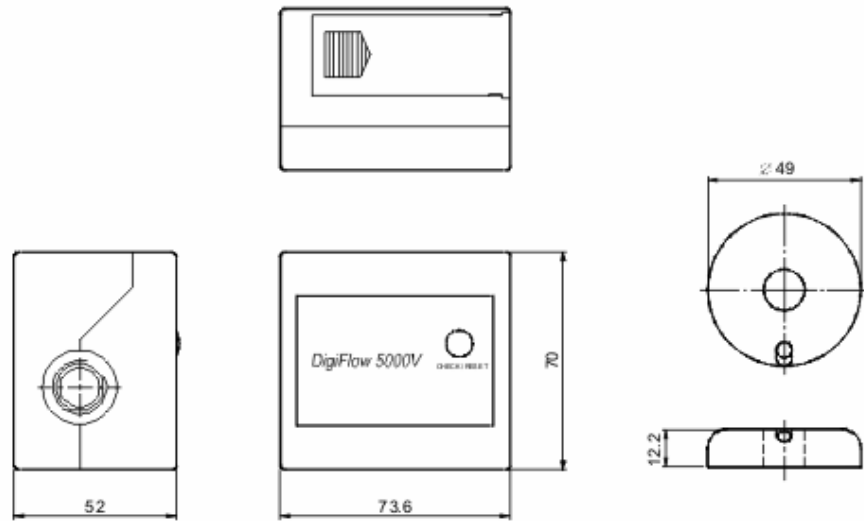


1.0 Electrical :

Operating Voltage : 3 DC Volts

Operating Current : 1.0 mA (working mode), 0.010 mA (sleeping mode)

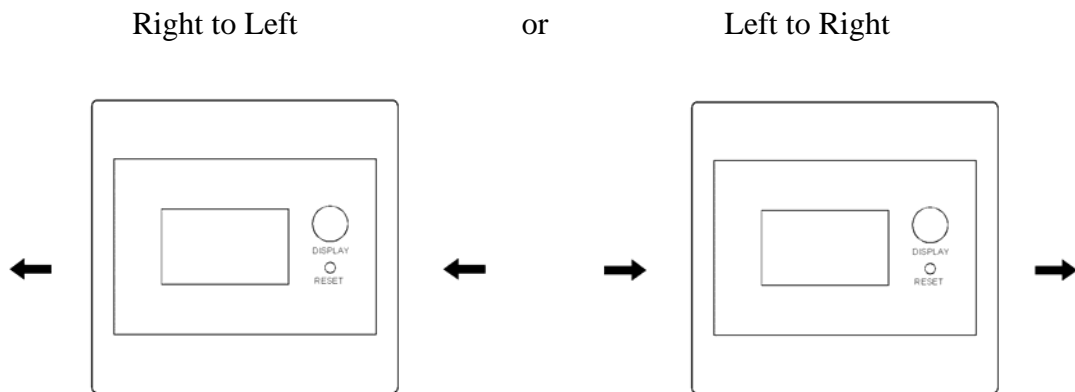
2.0 Mechanic :



3.0 Application :

Mounting Method : Back Mount

Flowing Direction : Bi-Direction



Flow Rate : Max. 3.72 gpm, 14.1 lpm

Min. 0.40 gpm, 1.50 lpm

4.0 General :

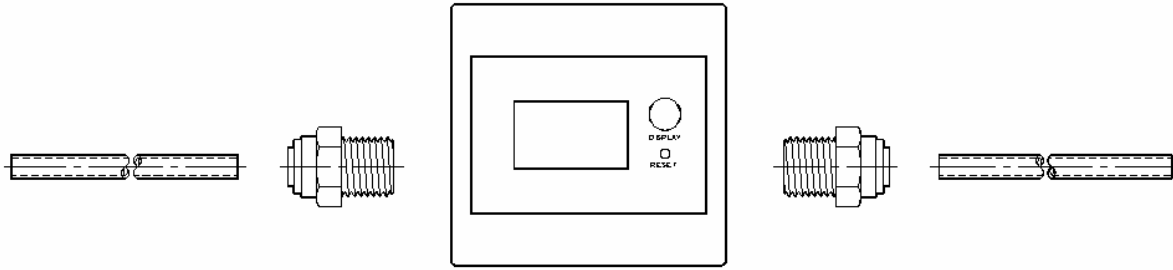
Temperature : 0 to 40°C (32 to 104 °F)

Pressure : Max. 6.0 bar (85 psi)

Weight : 140 g (5.38 oz)

Accuracy : +/- 10%

Connection : 3/8 inch NPT Female



Materials : Sensor Body : Acetal Copolymer, TICONA M90
 Turbine : Acetal Copolymer, TICONA M90
 Stick of Turbine : #304 Stainless Steel
 O-Ring : EPDM Rubber
 Housing : ABS resin

5.0 Operating instruction

5.1 Installation

Installing the LED display unit

Place the LED display unit under the faucet, and have the wire go under the counter.(Fig. 1)

Installing the filter monitor unit

Connect the fitting with the filter monitor unit. The thread specification of the filter monitor is 3/8"FNPT. Then connect the tube on the sides of the filter monitor unit.(Fig. 2)

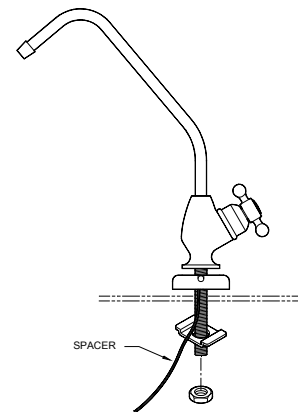


Fig. 1

Connecting the wire

Connect the wires of the LED display unit and the filter monitor unit.

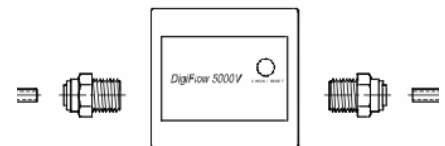


Fig. 2

5.1 Installing batteries

Put two AAA alkaline batteries into the battery space on the top of the filter monitor unit. There will be a long audio sound, and the LED will flash red for two seconds, then flash red and green several times*, before finally flashing green.

5.2 Operating

When there is water flowing through the DigiFlow 5000V, or the button is pressed, the LED display unit will blink different colors to indicate the remaining capacity and remaining time as the following :

Remaining capacity	LED color	Blinking times
30% -100%	Green	5 times
0% - 30%	Orange	5 times
0% or under	Red	5 times with audible sound

5.3 End of filter life alert

When the remaining capacity reaches zero, the LED display unit will flash red every three seconds, and the buzzer will generate an audio alert.

5.4 Resetting

After replacing the filter cartridge, press the switch for six seconds. There will be a long audio sound, and the LED will flash red for two seconds, then flash red and green several times, before finally flashing green. The remaining capacity is reset to the original setting value.

5.5 Power-off memorization

The DigiFlow 5000V will memorize the last remaining capacity when the battery is out of power, and restore the last remaining capacity when new batteries are installed.