

# Savant DigiFlow 6710M-44TM, Panel Mounted Flow Totalizer and Flow Meter

SAVANT ELECTRONICS INC.

1670-3, Sec.1, Huanzhong road, Taichung 40761, Taiwan

Tel : 886 4 2425 5578 Fax : 886 4 2425 0396

Email : [savantco@ms65.hinet.net](mailto:savantco@ms65.hinet.net)

Website : [www.homewaterfilter.com.tw](http://www.homewaterfilter.com.tw)

## Features :

- Flow rate indicating
- Flow totalizing up to 99,999 liters, 99,999 gallons
- 3V DC, 110/220 V AC



## Application :

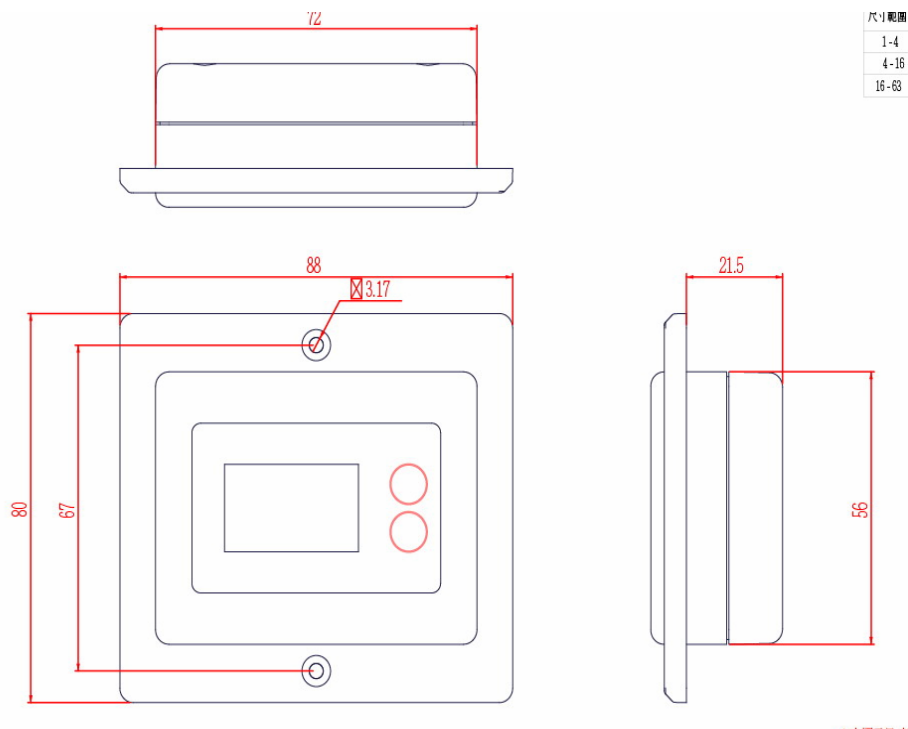
- Commercial and Industrial reverse osmosis water filter system

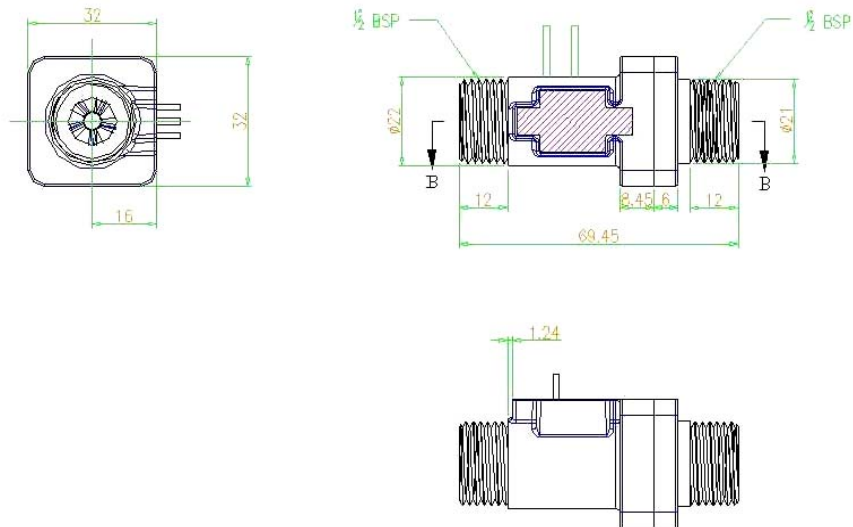
## 1.0 Electrical :

Operating Voltage : 3 DC Volts, 110/220 V AC (with power adapter)

Operating Current : 4.0 mA (work), 0.015 mA (sleep)

## 2.0 Mechanic :





### 3.0 Application :

Installation of flow sensor : Vertical, Horizontal or any angel installation for flow sensor

Flowing direction :One way

Flow range : 1.5 – 25 liter/min

### 4.0 General :

Temperature : 0 to 80°C

Pressure : Max. 0.8 MPa

Weight : 140 g

Accuracy : +/- 5%

Connection : 1/2" BSP (1/2" NPT is option)

Material : Flow sensor : PA66 with 50% glass fiber

Turbine : PA composite

Turbine holder : Acetal Copolymer (POM)

Axle of Turbine : #304 stainless steel, (ceramic axle is option)

O-Ring : EPDM Rubber

Control Unit Housing : ABS resin

### Operation Guide

#### 5.1 Connecting power

Connecting the power connector of the control unit with 3V DC power. For 110/220 V AC power, connecting the output power of the adapter. .

#### 5.2 Connection of flow sensor

The thread of the DigiFlow 6710M-44TM is 1/2" BSP (1/2" NPT is option).

### 5.3 Operating

The DigiFlow 6710M-44TM I automatically turns on screen when there is water flowing through the sensor. It automatically turns off in 10 seconds when there is no water flowing.

### 5.4 Display and mode selection

Press the “DISPLAY” button turns on the screen . Pressing the “DISPLAY” button again could choose to display accumulated flowing volume (flow totalization) or real-time flow rate.

### 5.5 Reset

Keep pressing the “RESET” button for 4 seconds, the total measuring volume will be reset to be zero.