

# Savant FS-2000 Flow Sensor

SAVANT ELECTRONICS INC.

1670-3, Huanzhong road, Sec.1, Taichung 40761, Taiwan

Tel : 886 4 2425 5578 Fax : 886 4 2425 0396

Email : [savantco@ms65.hinet.net](mailto:savantco@ms65.hinet.net)

Website : [www.digisavant.com](http://www.digisavant.com)

## Features :

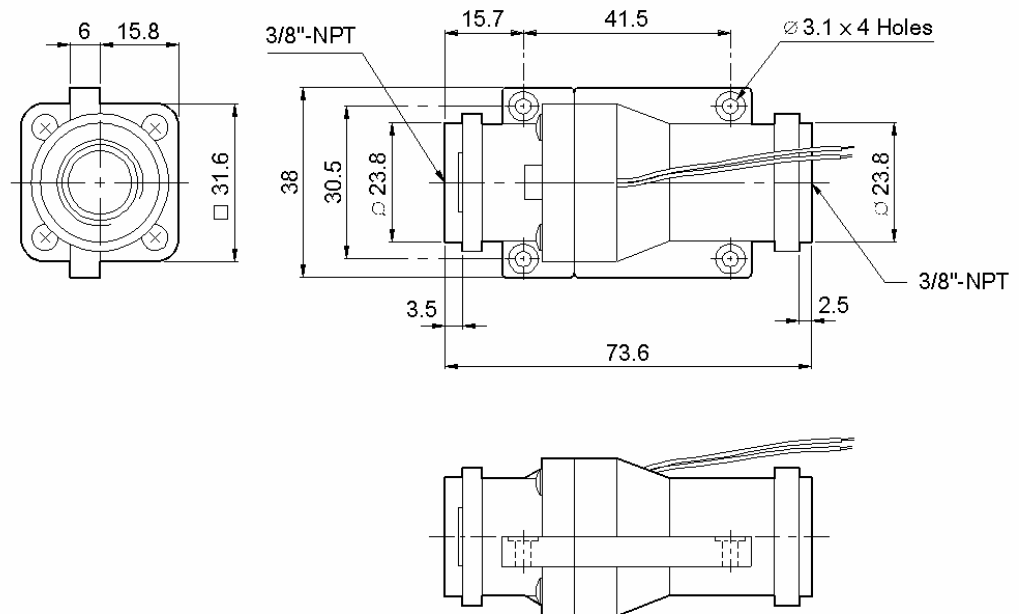
- Accurate and reliable
- Low unit cost
- Low maintenance cost
- Easy installation
- Extremely low power consumption



## Application :

- ✓ Residential and commercial water treatment system
- ✓ Water dispenser
- ✓ Water cooler

## 1.0 Mechanism :



## 2.0 Electrical :

Switching Voltage : Max. 200 Volts

Switching Current : Max. 0.5 Amps

Carry Current : Max. 1.5 Amps

Switching Frequency : Max. 500 Hz

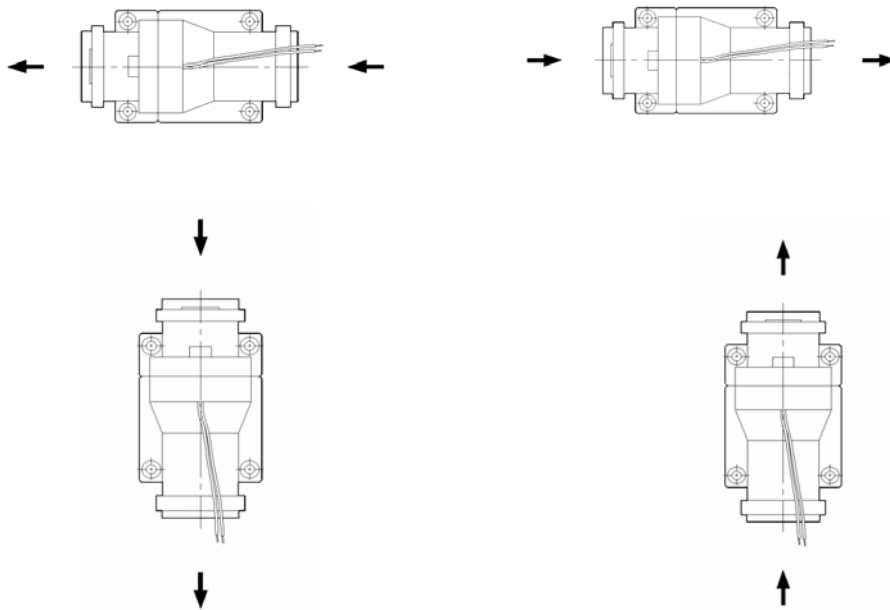
Contact Resistance : Max. 150 m $\Omega$

Life Expectancy : 400,000 liters.

### 3.0 Application :

Mounting Method : Horizontal to Vertical

Flowing Direction : Bi-Direction



Flow Rate : Maximum 14.1 lpm (vertical and horizontal mounting)

Minimum 1.50 lpm (horizontal mounting)

Minimum 1.00 lpm (vertical mounting)

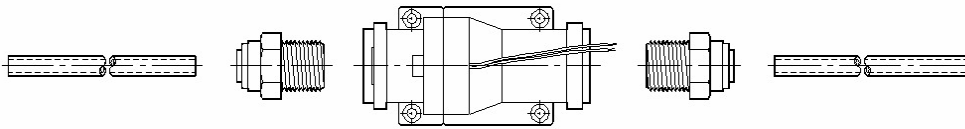
Calibration :

Horizontal mounting :

Flow Rate (liter/min)	Resolution (liter per pulse)
1.5 – 2.0	0.0042
2.0 – 6.0	0.0040
6.0 -14.0	0.0038

Vertical mounting :

Flow Rate (liter/min)	Resolution (liter or gallon per pulse)
1.0 – 1.5	0.0041
1.5 – 2.0	0.0040
2.0 – 6.0	0.0040
6.0 -14.0	0.0038



4.0 Flow Rate : 1.5 – 14.1 liter/min. ( 0.40 – 3.72 gallon/min.)

5.0 General :

Connection : 3/8 inch NPT Female

Temperature : 0 to 80°C (32 to 176°F)

Pressure : Max. 6.0 bar (85 psi)

Weight : 50 g (1.92 oz.)

Accuracy : +/- 5%

Materials : Sensor Body : Acetal Copolymer, TICONA M90

Turbine : Acetal Copolymer, TICONA M90

Stick of Turbine : #304 Stainless Steel

O-Ring : E.P.D.M.