

# Savant FS-4400 Flow Sensor

SAVANT ELECTRONICS INC.

1670-3, Sec. 1, Huanzhong road, Taichung 40761, Taiwan

Tel : 886 4 2425 5578 Fax : 886 4 2425 0396

Email : [savantco@ms65.hinet.net](mailto:savantco@ms65.hinet.net)

Website : [digisavant.com](http://digisavant.com)

## Features :

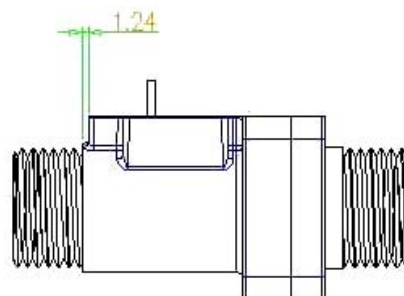
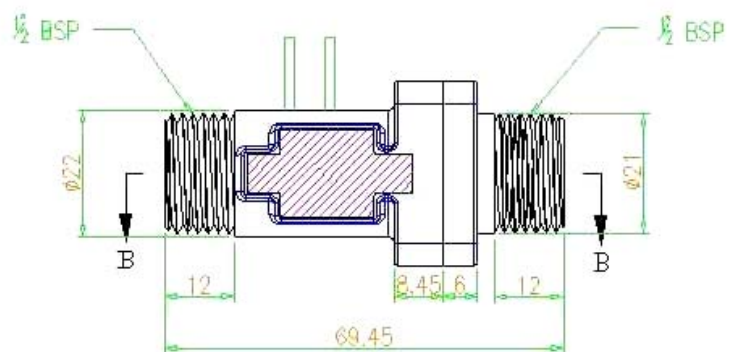
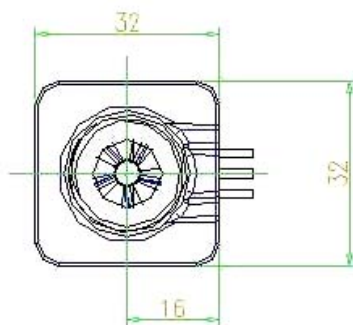
- Switch output, low power consumption
- Small and compact dimension
- Easy connection, 1/2" BSP thread
- High reliability and durability
- Installation flexibility : vertical or horizontal



## Application :

- ✓ Water heater, boiler and heat pump

## 1.0 Mechanism :



## 2.0 Electrical :

Switching Voltage : Max. 200 Volts

Switching Current : Max. 0.5 Amps

Carry Current : Max. 1.5 Amps

Switching Frequency : Max. 500 Hz

Contact Resistance : Max. 150 mΩ

Life Expectancy : 400,000 liters.

## 3.0 Application :

Mounting Method : Horizontal to Vertical

Range of Flow Rate : 1.5 – 25 L/min.

### Calibration(horizontal mounting) :

Flow Rate (liter/min.)	Pulses per liter
1.5 – 2.0	230
2.0 – 4.5	263
4.5 - 12.0	263
12.0 - 25.0	263

### Calibration(vertical mounting) :

Flow Rate (liter/min.)	Pulses per liter
1.5 – 2.0	277
2.0 – 4.5	270
4.5 - 12.0	263
12.0 - 25.0	263

Accuracy error : +/- 10%

Maximum working pressure : 1MPa

Fluid : Cold / Warm Water

Fluid temperature : 0 ~ 80°C

Environment temperature : -20 ~ 80°C

Body Materials : Nylon with 30% glass fiber

Inside turbine holder : Acetal copolymer (POM)

Turbine : plastic magnet

Turbine shsft : ceramic or stainless steel